

# SOLAR CELL SERIES

[http:// www.jmsienna.com](http://www.jmsienna.com)  
contact: [sales@jmsienna.com](mailto:sales@jmsienna.com)

**JMSIENNA CO., LTD**  
*solutions of Optoelectronics ▲*



# 156mm Mono-Crystalline

156 mm × 156 mm Mono-crystalline Silicon Solar Cell Data Sheet Dimension 156 mm × 156 mm ± 0.5 mm

Thickness 240 μm ± 20 μm, 220 μm ± 30 μm

Front Silicon nitride antireflection coatings

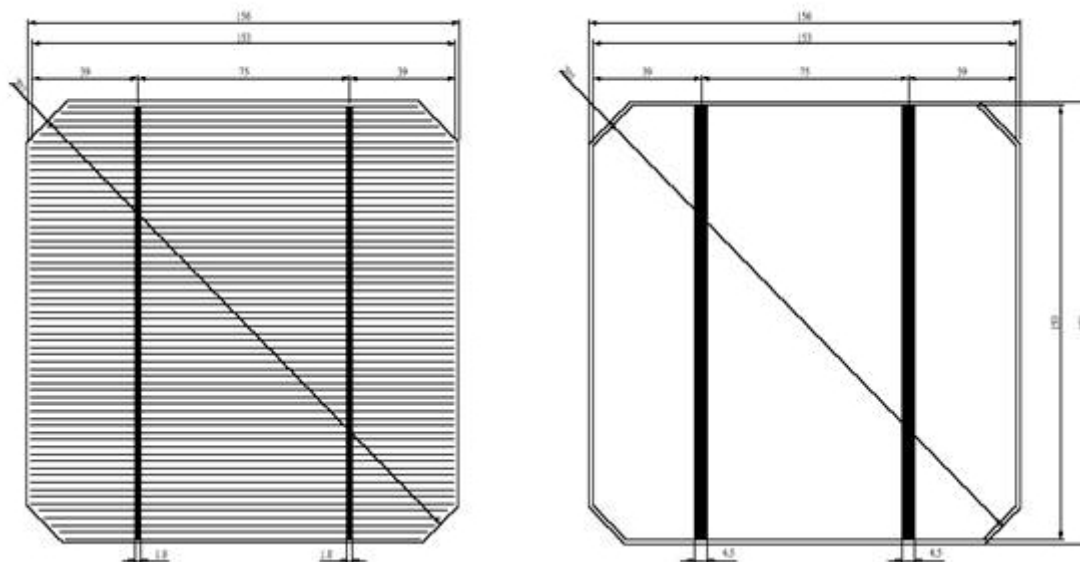
1.8 mm wide silver bus bars

Back Full surface aluminum back surface field

4.5 mm wide (silver / aluminum) soldering pads

外形尺寸 (mm)	转换效率 (%)	最大功率 (W)	工作电压 (mV)	工作电流 (A)	开路电压 (mV)	短路电流 (Am)
156 × 156, Ø201	17.5	4.17	511	8.13	613	8.775
156 × 156, Ø201	17.2	4.12	510	8.03	612	8.665
156 × 156, Ø201	17.0	4.06	510	7.92	611	8.565
156 × 156, Ø201	16.7	4.00	509	7.8	611	8.445
156 × 156, Ø201	16.5	3.945	508	7.69	610	8.335
156 × 156, Ø201	16.2	3.88	507	7.381	610	8.235
156 × 156, Ø201	16.0	3.815	506	7.284	609	8.125
156 × 156, Ø201	15.7	3.765	504	7.211	607	8.035
156 × 156, Ø201	15.5	3.705	502	7.124	607	7.935
156 × 156, Ø201	15.2	3.655	500	7.032	606	7.845
156 × 156, Ø201	15.0	3.582	497	6.942	605	7.745
156 × 156, Ø201	14.7	3.525	492	6.892	604	7.705
156 × 156, Ø201	14.5	3.465	487	6.794	601	7.605
156 × 156, Ø201	13.5	3.235	482	6.653	598	7.305

Data under standard testing conditions: 1000 W/m<sup>2</sup>, AM 1.5, 25°



# 125mm Mono-Crystalline

125 mm× 125 mm Mono-crystalline Silicon Solar Cell Data Sheet Dimension 125 mm × 125 mm ± 0.5 mm

Thickness 270 μm ± 40 μm, 240 μm ± 40 μm, 220 μm ± 30 μm

Front Silicon nitride antireflection coatings :

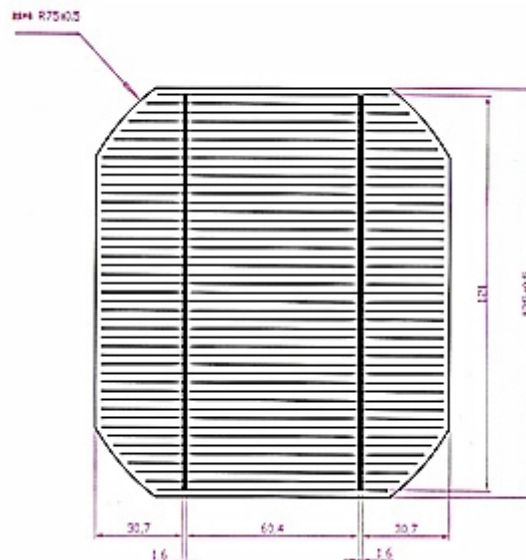
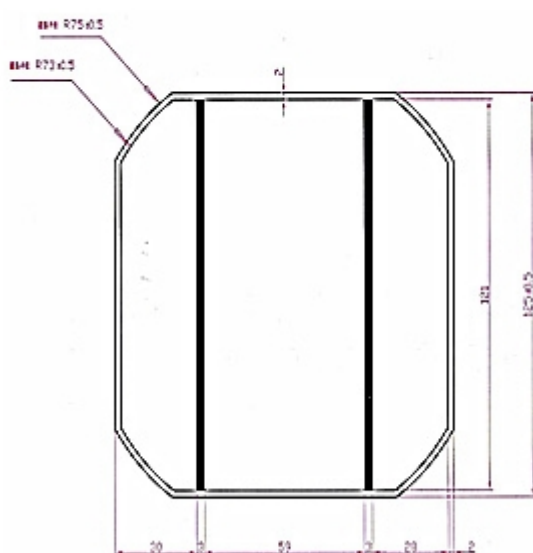
1.5 mm wide silver bus bars

Back Full surface aluminum back surface field :

4.5 mm wide (silver / aluminum) soldering pads

外形尺寸 ( mm )	转换效率 (%)	最大功率 (W)	工作电压 (mV)	工作电流(A)	开路电压 (mV)	短路电流 (Am)
125×125, Ø150	17.6	2.62	527	4.962	620	5.355
125×125, Ø150	17.4	2.595	525	4.928	620	5.305
125×125, Ø150	17.2	2.565	521	4.906	618	5.265
125×125, Ø150	17.0	2.535	520	4.883	617	5.225
125×125, Ø150	16.8	2.50	519	4.815	615	5.185
125×125, Ø150	16.6	2.475	516	4.781	613	5.145
125×125, Ø150	16.4	2.44	513	4.754	610	5.105
125×125, Ø150	16.2	2.415	511	4.711	608	5.065
125×125, Ø150	16.0	2.385	509	4.684	608	5.025
125×125, Ø150	15.8	2.355	508	4.622	605	4.985
125×125, Ø150	15.6	2.32	505	4.592	602	4.945
125×125, Ø150	15.4	2.29	505	4.532	602	4.905
125×125, Ø150	15.2	2.265	503	4.494	598	4.865
125×125, Ø150	15.0	2.235	502	4.453	598	4.825

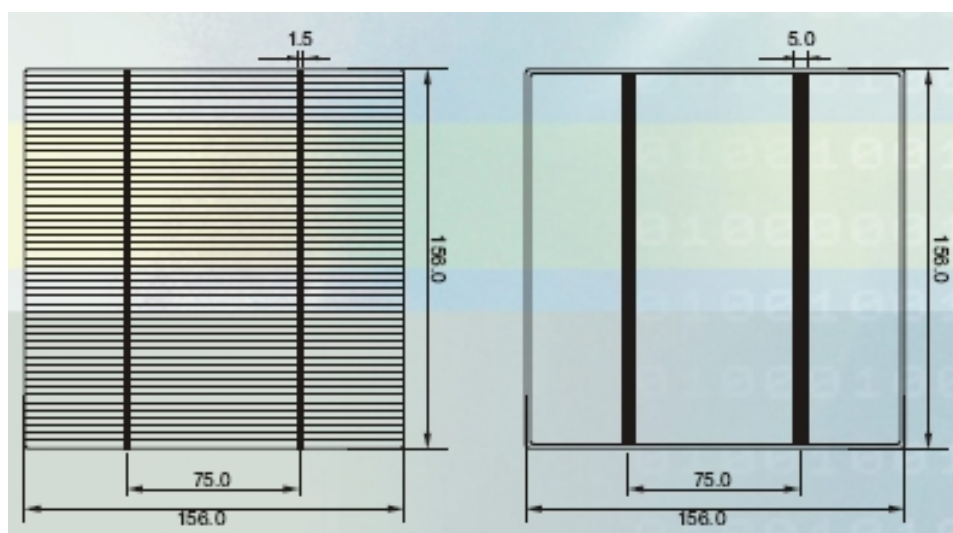
Data under standard testing conditions: 1000 W/m<sup>2</sup>, AM 1.5, 25°



# 156mm Multi-Crystalline

Product Specifications	
Appearance	Front-side : Silver bus bars; Blue/purple/brown silicon nitride antireflection coating Back-side : Silver/aluminum bus bars; Full-surface aluminum BSF
Dimensions	Size : 156mmx156mm±0.5 mm Area : 243.36 cm <sup>2</sup> Thickness : 200µm±30µm / 220µm±30µm / 240µm±30µm / 270µm±30µm
Coefficient	The coefficient of current (Alpha) is 0.075±0.015%/°C The coefficient of voltage (Beta) is -0.312±0.015%/°C The coefficient of power (Gamma) is -0.405±0.05%/°C

Conversion Efficiency (%)	Average Conversion Efficiency (%)	Rated Power (Wp)	Max.Power Current, I <sub>mp</sub> (A)	Max.Power Voltage, V <sub>mp</sub> (V)	Short Circuit Current, I <sub>sc</sub> (A)	Open Circuit Voltage, Voc (V)	Fill Factor (%)
<10.00	<10.000	<2.43	<5.17	<0.469	<6.29	<0.581	<66.4
10.00-11.00	10.500	2.56	5.45	0.469	6.51	0.582	67.5
11.00-12.00	11.500	2.80	5.96	0.470	6.88	0.586	69.4
12.00-13.00	12.500	3.04	6.23	0.488	6.97	0.592	73.7
13.00-14.00	13.500	3.29	6.64	0.495	7.25	0.598	75.8
14.00-14.25	14.125	3.44	6.87	0.500	7.49	0.603	76.0
14.25-14.50	14.375	3.50	6.99	0.500	7.61	0.603	76.2
14.50-14.75	14.625	3.56	7.10	0.501	7.72	0.603	76.5
14.75-15.00	14.875	3.62	7.22	0.501	7.80	0.604	76.8
15.00-15.25	15.125	3.68	7.30	0.504	7.82	0.610	77.1
15.25-15.50	15.375	3.74	7.36	0.508	7.90	0.613	77.2
15.50-15.75	15.625	3.80	7.44	0.511	7.96	0.616	77.5
15.75-16.00	15.875	3.86	7.51	0.514	8.03	0.618	77.7
16.00-16.25	16.125	3.92	7.62	0.514	8.13	0.620	77.8
16.25-16.50	16.375	3.99	7.72	0.516	8.24	0.620	77.9
16.50-16.75	16.625	4.05	7.78	0.520	8.27	0.624	78.4



# 156mm Multi-Crystalline

Product Specifications	
Appearance	Front-side : Silver bus bars; Blue/purple/brown silicon nitride antireflection coating Back-side : Silver/aluminum bus bars; Full-surface aluminum BSF
Dimensions	Size : 156mmx156mm±0.5 mm Area : 243.36 cm <sup>2</sup> Thickness : 200µm±30µm / 220µm±30µm / 240µm±30µm / 270µm±30µm
Coefficient	The coefficient of current (Alpha) is 0.075±0.015%/°C The coefficient of voltage (Beta) is -0.312±0.015%/°C The coefficient of power (Gamma) is -0.405±0.05%/°C

Conversion Efficiency (%)	Average Conversion Efficiency (%)	Rated Power (Wp)	Max.Power Current, I <sub>mp</sub> (A)	Max.Power Voltage, V <sub>mp</sub> (V)	Short Circuit Current, I <sub>sc</sub> (A)	Open Circuit Voltage, Voc (V)	Fill Factor (%)
<10.00	<10.000	<2.43	<5.17	<0.469	<6.29	<0.581	<66.4
10.00-11.00	10.500	2.56	5.45	0.469	6.51	0.582	67.5
11.00-12.00	11.500	2.80	5.96	0.470	6.88	0.586	69.4
12.00-13.00	12.500	3.04	6.23	0.488	6.97	0.592	73.7
13.00-14.00	13.500	3.29	6.64	0.495	7.25	0.598	75.8
14.00-14.25	14.125	3.44	6.87	0.500	7.49	0.603	76.0
14.25-14.50	14.375	3.50	6.99	0.500	7.61	0.603	76.2
14.50-14.75	14.625	3.56	7.10	0.501	7.72	0.603	76.5
14.75-15.00	14.875	3.62	7.22	0.501	7.80	0.604	76.8
15.00-15.25	15.125	3.68	7.30	0.504	7.82	0.610	77.1
15.25-15.50	15.375	3.74	7.36	0.508	7.90	0.613	77.2
15.50-15.75	15.625	3.80	7.44	0.511	7.96	0.616	77.5
15.75-16.00	15.875	3.86	7.51	0.514	8.03	0.618	77.7
16.00-16.25	16.125	3.92	7.62	0.514	8.13	0.620	77.8
16.25-16.50	16.375	3.99	7.72	0.516	8.24	0.620	77.9
16.50-16.75	16.625	4.05	7.78	0.520	8.27	0.624	78.4

